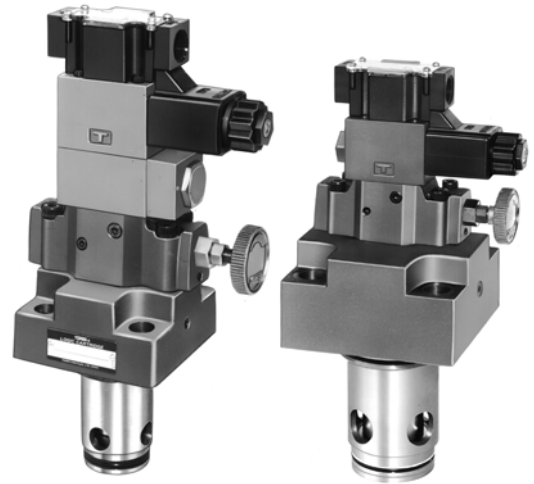


These solenoid controlled relief logic valves are composite control valves having solenoid controlled directional and pilot relief valves and vent restrictors combined together. This configuration eliminates pipes from the vent circuits of relief logic valves. They are used to put pumps into unloading operation, with the solenoid controlled directional valves serving to select pilot lines, or to place hydraulic system two or three pressure controls, with the pilot relief valves in action.

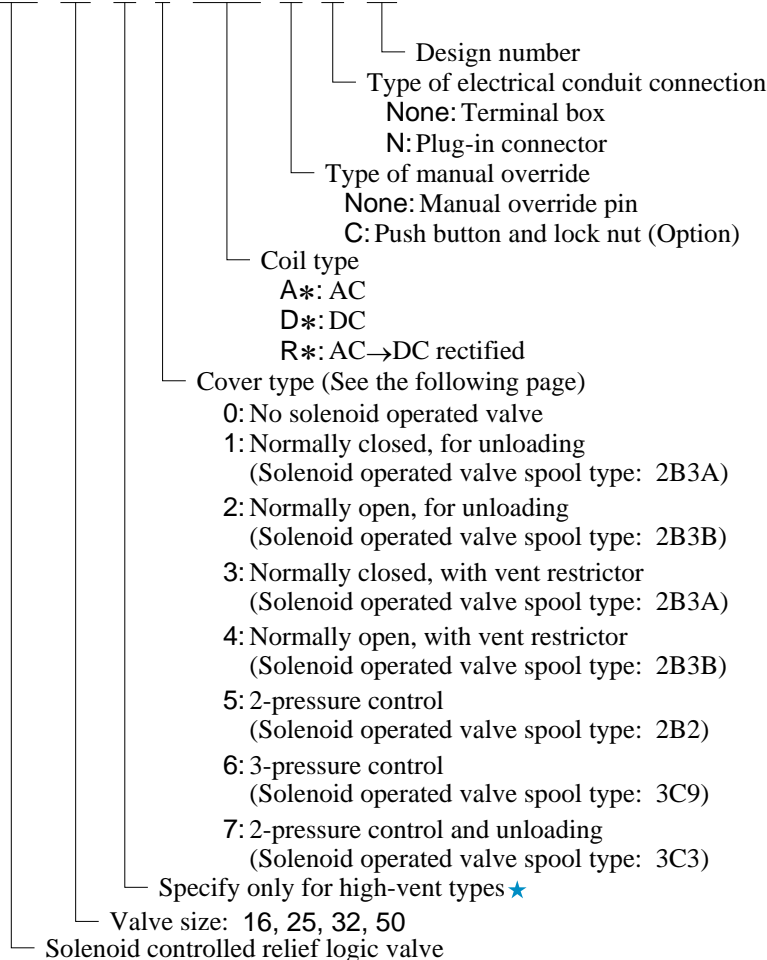


#### Specifications

Model Numbers	Max. Operating Pressure MPa (PSI)	Pres. Adj. Range MPa (PSI)	Max. Flow L/min (U.S.GPM)	Approx. Mass kg(lbs.)
LBS-16-*-**-13	31.5 (4570)	0.4 - 31.5 (60 - 4570)	125 (33)	8.8 (19.4)
LBS-25-*-**-13			250 (66)	9.7 (21.4)
LBS-32-*-**-13			500 (132)	11.9 (26.2)
LBS-50-*-**-13			1200 (317)	21.3 (47.0)

#### Model Number Designation

LBS - 32 - V - 1 - A100 - C - N - 13



★ Use high-vent pressure types if the shifting time from unloading to on-loading is reduced.

#### List of Cover Types

Cover Type Designation	Graphic Symbols	Valve Size			
		16	25	32	50
Without Solenoid Valve (0)		○	○	○	○
Normally Closed for Unloading (1)		○	○	○	○
Normally Open for Unloading (2)		○	○	○	○
Normally Closed with Vent Restrictor (3)		○	○	○	○
Normally Open with Vent Restrictor (4)		○	○	○	○

Cover Type Designation	Graphic Symbols	Valve Size			
		16	25	32	50
Two-Pressure Control (5)		○	○	○	○
Three-Pressure Control (6)		○	○	○	○
Two-Pressure Control and Unloading (7)		○	○	○	○

