

Specifications / Model Number Designation

■ Specifications

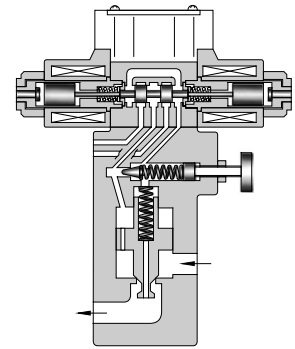
Model Numbers		Max. Operating Pressure MPa (PSI)	Pressure Adj. Range MPa (PSI)	Max. Flow L/min (U.S.GPM)	Approx. Mass kg (lbs.)		
					Double Sol.	Single Sol.	With Vent Restrictor
Threaded Connection	BST-03-*-**-47*	25 (3630)	Note) ★-25 (★-3630)	100 (26.4)	7.4 (16.3)	6.8 (15.0)	7.8 (17.2)
	BST-06-*-**-47*			200 (52.8)	7.4 (16.3)	6.8 (15.0)	7.8 (17.2)
	BST-10-*-**-47*			400 (106)	11.1 (24.5)	10.5 (23.2)	11.5 (25.4)
Sub-plate Mounting	BSG-03-*-**-47*	25 (3630)	Note) ★-25 (★-3630)	100 (26.4)	7.1 (15.7)	6.5 (14.3)	7.5 (16.5)
	BSG-06-*-**-47*			200 (52.8)	8.0 (17.6)	7.4 (16.3)	8.4 (18.5)
	BSG-10-*-**-47*			400 (106)	11.3 (24.9)	10.7 (23.6)	11.7 (25.8)



Note: For relief valves, standard pilot operated relief valves are used.
For minimum adjustment pressures and other characteristics, see page 14.

● Solenoid Ratings

Electric Source	Coil Type	Frequency (Hz)	Voltage (V)		Current & Power at Rated Voltage		
			Source Rating	Serviceable Range	Inrush* (A)	Holding (A)	Power (W)
AC	A100	50	100	80~110	2.42	0.51	—
			100	90~120	2.14	0.37	
			110		2.35	0.44	
	A120	50	120	96~132	2.02	0.42	
			108~144	1.78	0.31		
	A200	50	200	160~220	1.21	0.25	
			200	180~240	1.07	0.19	
	A240	50	220		1.18	0.22	
			240	192~264	1.01	0.21	
			240	216~288	0.89	0.15	
DC (K Series)	D12	—	12	10.8~13.2	—	2.45	29
			24	21.6~26.4	—	1.23	
			48	43.2~52.8	—	0.61	
AC→DC Rectified	R100	50/60	100	90~110	—	0.33	29
			200	180~220	—	0.16	



Yuken can offer flanged connection valves described below.

Consult Yuken for the details.

Model Numbers	Max. Operating Pressure MPa (PSI)	Max. Flow L/min (U.S.GPM)
BSF-10-*-**-47*	25	400 (106)
BSF-16-*-**-47*	(3630)	800 (211)

★ Inrush current in the above table shows rms values at maximum stroke.

The coil type numbers in the shaded column are handled as optional extras. In case these coils are required to be chosen, please confirm the time of delivery with us before ordering.

■ Model Number Designation

F-	A-	BS	T	-03	-V	-2B3A	-A100	-N	-47	*
Special Seals	With Vent Restrictor	Series Number	Type of Mounting	Valve Size	High Venting Pres. Feature	Vent Type	Coil Type	Type of Electrical Con.	Design Number	Design Standards
F: Special Seals for Phosphate Ester Type Fluids (Omit if not required)	A: With Vent Restrictor (Option)	BS: Solenoid Controlled Relief Valves	T: Threaded Connection G: Sub-plate Mounting	03 06 10	V: For High Venting Pressure Feature (Omit if not required)	2B3A ^{*3} 2B3B 2B2B 2B2 3C2 3C3	AC: A100, A120 A200, A240 DC: D12, D24 D48 AC→DC: R100, R200	None: Terminal Box Type N: With Plug-in Connector (DIN) N: With Plug-in Connector (DIN)	47	None: Japanese Std. "JIS" 90: N. American Design Std. 80: European Design Std.

- ★1. Models with vent restrictor are applicable only for the vent type 2B3A and 2B3B. For details, see page 22.
- ★2. Use high-venting-pressure types to reduce response time from unloading to onloading.
- ★3. For the details of the vent types, see the following page.

Vent Types

Vent Type	Graphic Symbols	Solenoid Operated Directional Valve Model Number	Operation			
			SOL "a"	SOL "b"	Vent Connecting	
2B3A		DSG-01-2B3A	—	OFF	Connected to port "A".	
				ON	Connected to tank (no-load)	
2B3B		DSG-01-2B3B	—	OFF	Connected to tank (no-load)	
				ON	Connected to port "B".	
2B2B		DSG-01-2B2B	—	OFF	Closed state (relief valve setting pressure)	
				ON	Connected to port "B".	
2B2		DSG-01-2B2	—	OFF	Connected to port "A".	
				ON	Connected to port "B".	
3C2		DSG-01-3C2	—	OFF	Closed state (relief valve setting pressure)	
				ON	OFF	Connected to port "A".
				OFF	ON	Connected to port "B".
3C3		DSG-01-3C3	—	OFF	OFF	Connected to tank (no-load)
				ON	OFF	Connected to port "A".
				OFF	ON	Connected to port "B".

Attachment

Mounting Bolts

Valve Model Numbers	Socket Head Cap Screw	
	Japanese Std. "JIS" and European Design Std.	N. American Design Std.
BSG-03	M12 × 70 Lg. (2 pcs.), M12 × 95 Lg. (2 pcs.)	1/2-13UNC × 2-3/4 Lg. (2 pcs.), 1/2-13UNC × 3-3/4 Lg. (2 pcs.)
BSG-06	M16 × 60 Lg. (2 pcs.), M16 × 80 Lg. (2 pcs.)	5/8-11UNC × 2-1/4 Lg. (2 pcs.), 5/8-11UNC × 3-1/4 Lg. (2 pcs.)
BSG-10	M20 × 70 Lg. (2 pcs.), M20 × 90 Lg. (2 pcs.)	3/4-10UNC × 2-3/4 Lg. (2 pcs.), 3/4-10UNC × 3-1/2 Lg. (2 pcs.)



Sub-plate

Valve Model Numbers	Japanese Standard "JIS"		European Design Standard		N. American Design Standard		Approx. Mass kg (lbs.)
	Sub-plate Model Numbers	Thread Size	Sub-plate Model Numbers	Thread Size	Sub-plate Model Numbers	Thread Size	
BSG-03	BGM-03-20	Rc 3/8	BGM-03-3080	3/8 BSP.F	BGM-03-2090	3/8 NPT	2.4(5.3)
	BGM-03X-20	Rc 1/2	BGM-03X-3080	1/2 BSP.F	BGM-03X-2090	1/2 NPT	3.1(6.8)
BSG-06	BGM-06-20	Rc 3/4	BGM-06-3080	3/4 BSP.F	BGM-06-2090	3/4 NPT	4.7(10.4)
	BGM-06X-20	Rc 1	BGM-06X-3080	1 BSP.F	BGM-06X-2090	1 NPT	5.7(12.6)
BSG-10	BGM-10-20	Rc 1-1/4	BGM-10-3080	1-1/4 BSP.F	BGM-10-2090	1-1/4 NPT	8.4(18.5)
	BGM-10X-20	Rc 1-1/2	BGM-10X-3080	1-1/2 BSP.F	BGM-10X-2090	1-1/2 NPT	10.3(22.7)

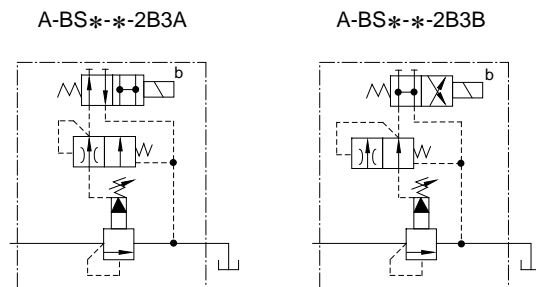
- Sub-plates are available. Specify the sub-plate model number from the table above. When sub-plates are not used, the mounting surface should have a good machined finish.
- The sub-plates are those for pilot operated relief valves. For dimensions, see page 13.

Option

Models with vent restrictor

The type with a vent restrictor has a vent restrictor in vent types 2B3A and 2B3B added between a relief valve and a solenoid operated directional valve. It prevents shock to the main circuit by gradually lowering the venting pressure in the shift from the set pressure to unloading.

Unloading pressure are the same as without a vent restrictor.



Instructions

- If a remote control relief valve is used in the vent circuit, see page 3. In addition, if the internal volume of the vent line is too large, chattering is likely to occur. Thus, as far as possible reduce the inside Dia. and the length of the pipe.
- Pressure is limited by collars fitted. If a working pressure cannot be attained, remove some collars. One collar is equivalent to 10 MPa (1450 PSI).
- With a small flow, the setting pressure may be unstable. Use models numbered 03 and 06 with a flow rate above 8 L/min (2.1 U.S. GPM) and model 10 with 15 L/min (4.0 U.S. GPM).
- There are two threaded connection pressure ports. They can be connected each other in-line; one as inlet and the other as an outlet or the valve can be used by plugging one of the pressure ports.

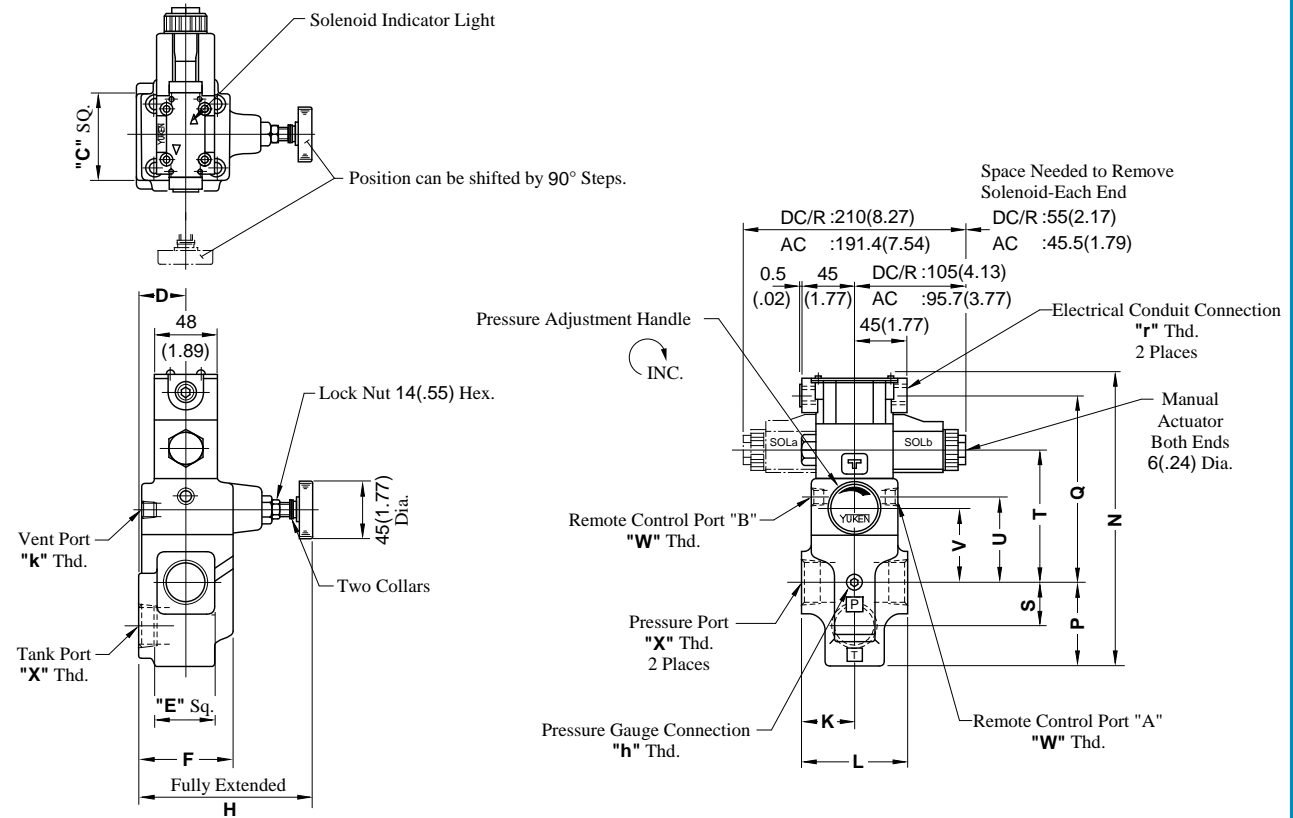
Interchangeability in Installation between Old and New Design.

Design 47 valve is one on which DSG-01, design 60 is mounted as a pilot valve. It is interchangeable with old design (design 46) with respect to specifications, exterior shape and mounting dimensions.

BST-03-*-47/4790
 BST-06-*-47/4790
 BST-10-*-47/4790

● Terminal Box Type

DIMENSIONS IN
MILLIMETRES (INCHES)

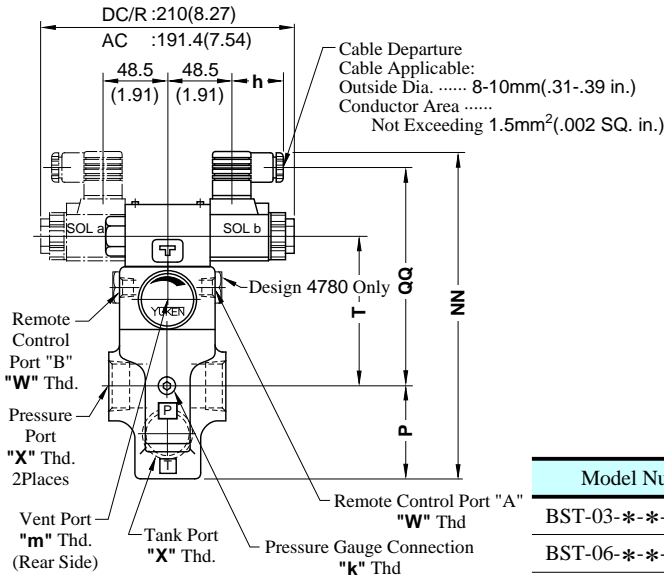


Model Numbers	Dimensions mm (Inches)													
	C	D	E	F	H	K	L	N	P	Q	S	T	U	V
BST-03-*-47/4790	75 (2.95)	40 (1.57)	52 (2.05)	78 (3.07)	145 (5.71)	45 (1.77)	90 (3.54)	240.8 (9.48)	68.5 (2.70)	154 (6.06)	36 (1.42)	107 (4.21)	69 (2.72)	62 (2.44)
BST-06-*-47/4790														
BST-10-*-47/4790	85 (3.35)	50 (1.97)	80 (3.15)	96 (3.78)	151 (5.94)	60 (2.36)	120 (4.72)	273.3 (10.76)	89 (3.50)	166 (6.54)	49 (1.93)	119 (4.69)	81 (3.19)	74 (2.91)

Model Numbers	Japanese Standard "JIS" Design 47					N. American Design Standard Design 4790				
	"W" Thd.	"X" Thd.	"h" Thd.	"k" Thd.	"r" Thd.	"W" Thd.	"X" Thd.	"h" Thd.	"k" Thd.	"r" Thd.
BST-03	Rc 1/8	Rc 3/8	Rc 1/4	Rc 3/8	G 1/2	1/8 NPT	3/8 NPT	1/4 NPT	3/8 NPT	1/2 NPT
BST-06		Rc 3/4					3/4 NPT			
BST-10		Rc 1-1/4					1-1/4 NPT			

● Models with Plug-in Connector

03
BST-06-**-**-N-47/4780/4790
10



**DIMENSIONS IN
MILLIMETRES (INCHES)**

Model Numbers	Dimensions mm(Inches)				
	P	T	NN	QQ	h
BST-03-**-A*-N	68.5	107	240.5	160	39 (1.54)
BST-06-**-A*-N	(2.70)	(4.21)	(9.47)	(6.30)	
BST-10-**-A*-N	89	119	273	172	39 (1.54)
BST-03-**-D*-N	(3.50)	(4.69)	(10.75)	(6.77)	
BST-06-**-D*-N	68.5	107	251.5	171	39 (1.54)
BST-10-**-D*-N	(2.70)	(4.21)	(9.90)	(6.73)	
BST-03-**-R*-N	89	119	284	183	53 (2.09)
BST-06-**-R*-N	(3.50)	(4.69)	(11.18)	(7.20)	
BST-10-**-R*-N	68.5	107	254.5	164.2	53 (2.09)
BST-06-**-R*-N	(2.70)	(4.21)	(10.02)	(6.46)	
BST-10-**-R*-N	89	119	287	176.2	53 (2.09)
BST-06-**-R*-N	(3.50)	(4.69)	(11.30)	(6.94)	

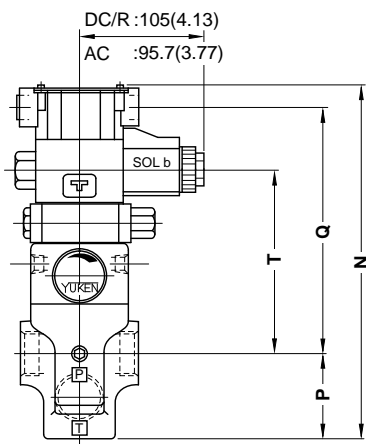
Model Numbers	"W" Thd.	"X" Thd.	"k" Thd.	"m" Thd.
BST-03-**-**-N-4780	1/8 BSP.F	3/8 BSP.F	1/4 BSP.Tr	3/8 BSP.Tr
BST-06-**-**-N-4780		3/4 BSP.F		
BST-10-**-**-N-4780		1-1/4 BSP.F		

See the installation drawing of terminal box type on page 23 for design 47 and 4790 port screws and other dimensions.

■ Options - Models with Vent Restrictor

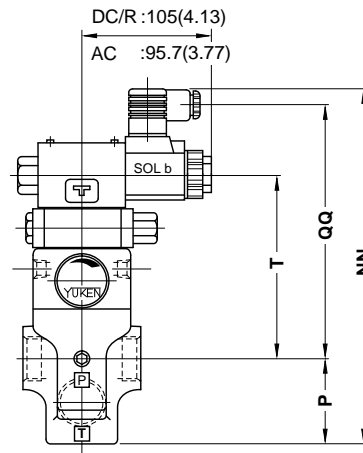
● Terminal Box Type

03
A-BST-06-**-2B3A-**-47/4790
10
2B3B



● Plug-in Connector Type

03
A-BST-06-**-2B3A-**-N-47/4780/4790
10
2B3B



Item	P	T	Terminal Box Type		Plug-in Connector Type					
					AC Solenoid		DC Solenoid		R (AC→DC) Solenoid	
			N	Q	NN	QQ	NN	QQ	NN	QQ
A-BST-03	68.5	137	270.8	184	270.5	190	281.5	201	284.5	194.2
A-BST-06	(2.70)	(5.39)	(10.66)	(7.24)	(10.65)	(7.48)	(11.08)	(7.91)	(11.20)	(7.65)
A-BST-10	89	149	303.3	196	303	202	314	213	317	206.2
	(3.50)	(5.87)	(11.94)	(7.72)	(11.93)	(7.95)	(12.36)	(8.39)	(12.48)	(8.12)

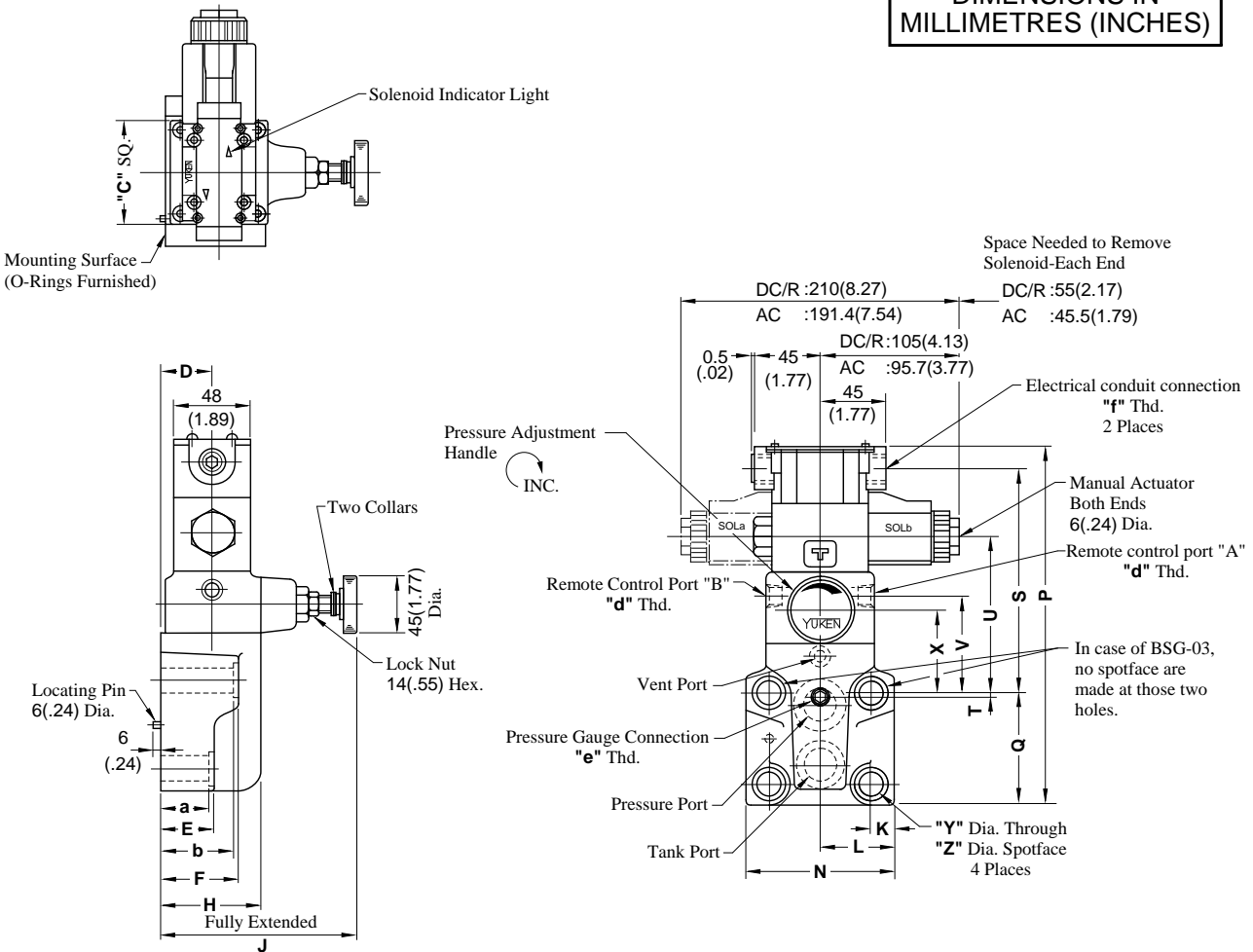
For other dimensions, see the models without vent restrictor type on page 23 and 24.

BSG-03-* -47/4790
BSG-06-* -47/4790
BSG-10-* -47/4790

Mounting surface
BSG-03: ISO 6264-AR-06-2-A
BSG-06: ISO 6264-AS-08-2-A
BSG-10: ISO 6264-AT-10-2-A

Terminal Box Type

DIMENSIONS IN
MILLIMETRES (INCHES)



Model Numbers	Dimensions mm (Inches)																			
	C	D	E	F	H	J	K	L	N	P	Q	S	T	U	V	X	Y	Z	a	b
BSG-03	75 (2.95)	40 (1.57)	57 (2.24)	78 (3.07)	78 (3.07)	145 (5.71)	14.1 (.56)	41 (1.61)	82 (3.23)	227.3 (8.95)	77 (3.03)	132 (5.20)	22 (.87)	85 (3.35)	47 (1.85)	40 (1.57)	13.5 (.53)	21 (.83)	55 (2.17)	—
BSG-06	75 (2.95)	40 (1.57)	40 (1.57)	60 (2.36)	78 (3.07)	145 (5.71)	17 (.67)	52 (2.05)	104 (4.09)	251.3 (9.89)	83.5 (3.29)	149.5 (5.89)	4.5 (.18)	102.5 (4.04)	64.5 (2.54)	57.5 (2.26)	17.5 (.69)	26 (1.02)	38 (1.50)	58 (2.28)
BSG-10	85 (3.35)	45 (1.77)	47 (1.85)	67 (2.64)	84 (3.31)	146 (5.75)	20.7 (.81)	62 (2.44)	124 (4.88)	285.3 (11.23)	110 (4.33)	157 (6.18)	6 (.24)	110 (4.33)	72 (2.83)	65 (2.56)	21.5 (.85)	32 (1.26)	45 (1.77)	65 (2.56)

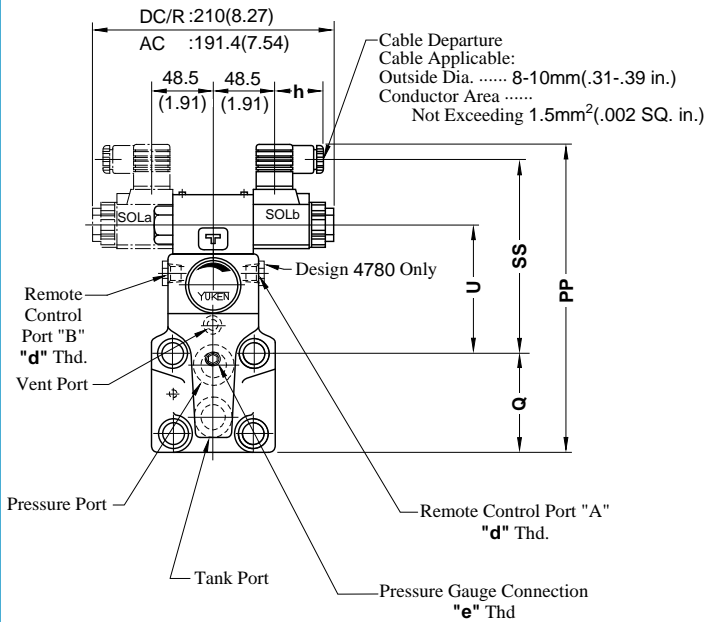
Model Numbers	Japanese Standard "JIS" Design 47			N. American Design Standard Design 4790		
	"d" Thd.	"e" Thd.	"f" Thd.	"d" Thd.	"e" Thd.	"f" Thd.
BSG-03						
BSG-06	Rc 1/8	Rc 1/4	G 1/2	1/8 NPT	1/4 NPT	1/2 NPT
BSG-10						

Note: For dimensions of the valve mounting surface, see the installation drawing (P.13) of the sub-plate used together.

Installation Drawings

● Models with Plug-in Connector

03
BSG-06-*-**-N-47/4780/4790
10



**DIMENSIONS IN
MILLIMETRES (INCHES)**

Model Numbers	Dimensions mm(Inches)				
	Q	U	PP	SS	h
BSG-03-*-**-N	77 (3.03)	85 (3.35)	227 (8.94)	138 (5.43)	
BSG-06-*-**-N	83.5 (3.29)	102.5 (4.04)	251 (9.88)	155.5 (6.12)	39 (1.54)
BSG-10-*-**-N	110 (4.33)	110 (4.33)	285 (11.22)	163 (6.42)	
BSG-03-*-**-D*-N	77 (3.03)	85 (3.35)	238 (9.37)	149 (5.87)	
BSG-06-*-**-D*-N	83.5 (3.29)	102.5 (4.04)	262 (10.31)	166.5 (6.56)	39 (1.54)
BSG-10-*-**-D*-N	110 (4.33)	110 (4.33)	296 (11.65)	174 (6.85)	
BSG-03-*-**-R*-N	77 (3.03)	85 (3.35)	241 (9.49)	142.2 (5.60)	
BSG-06-*-**-R*-N	83.5 (3.29)	102.5 (4.04)	265 (10.43)	159.7 (6.29)	53 (2.09)
BSG-10-*-**-R*-N	110 (4.33)	110 (4.33)	299 (11.77)	167.2 (6.58)	

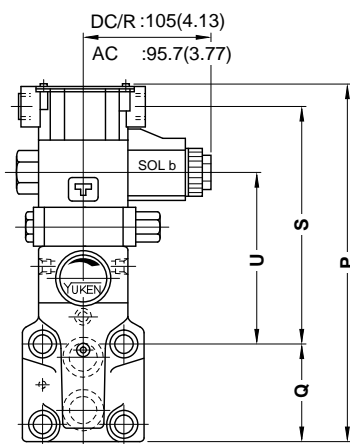
Model Numbers	"d" Thd.	"e" Thd.
BSG-03-*-**-N-4780	1/8 BSP.F	1/4 BSP.Tr
BSG-06-*-**-N-4780		
BSG-10-*-**-N-4780		

See the installation drawing of terminal box type on page 25 for design 47 and 4790 port screws and other dimensions.

■ Options - Models with Vent Restrictor

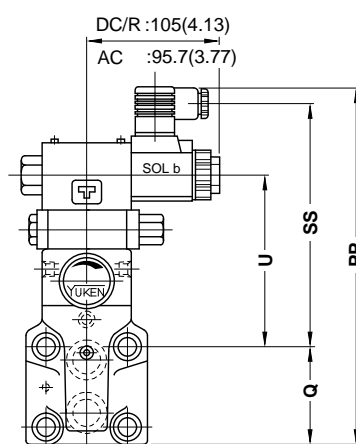
● Terminal Box Type

03
A-BSG-06-*-2B3A-*-47/4790
10
2B3B



● Plug-in Connector Type

03
A-BSG-06-*-2B3A-*-N-47/4780/4790
10
2B3B



Item Model Numbers	Q	U	Terminal Box Type		Plug-in Connector Type					
			P	S	AC Solenoid		DC Solenoid		R (AC→DC) Solenoid	
					PP	SS	PP	SS	PP	SS
A-BSG-03	77 (3.03)	115 (4.53)	257.3 (10.13)	162 (6.38)	257 (10.12)	168 (6.61)	268 (10.55)	179 (7.05)	271 (10.67)	172.2 (6.78)
A-BSG-06	83.5 (3.29)	132.5 (5.22)	281.3 (11.07)	179.5 (7.07)	281 (11.06)	185.5 (7.30)	292 (11.50)	196.5 (7.74)	295 (11.61)	189.7 (7.47)
A-BSG-10	110 (4.33)	140 (5.51)	315.3 (12.41)	187 (7.36)	315 (12.40)	193 (7.60)	326 (12.83)	204 (8.03)	329 (12.95)	197.2 (7.76)

For other dimensions, see the models without vent restrictor type on page 25 and 26.

Lead Wire Connection

Details of Receptacle

Type of Electrical Conduit Connection	Double Solenoid Type	Single Solenoid Type
Terminal Box Type		
Plug-in Connector Type		

- ★1. There are two grounding terminals. You can use either one.
- ★2. If you do not need the common plate, remove it.
- ★3. With DC solenoids, polarity is no question.

⚠ DANGER

- Do not perform wiring while the power is on. Doing so may result in electric shock, burns or death.
- Make the wiring properly. Improper wiring will cause an irregular movement of the machine, resulting in a grave accident.

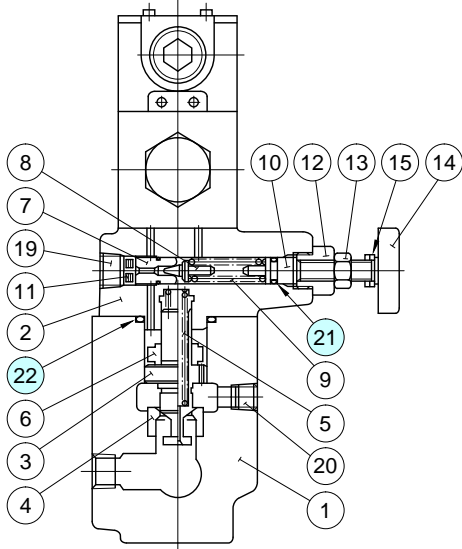
Electrical Circuit

Type of Electrical Conduit Connection	Electric Source		
	AC	DC	AC→DC Rectified
Terminal Box Type			
Plug-in Connector Type			

Threaded Connections

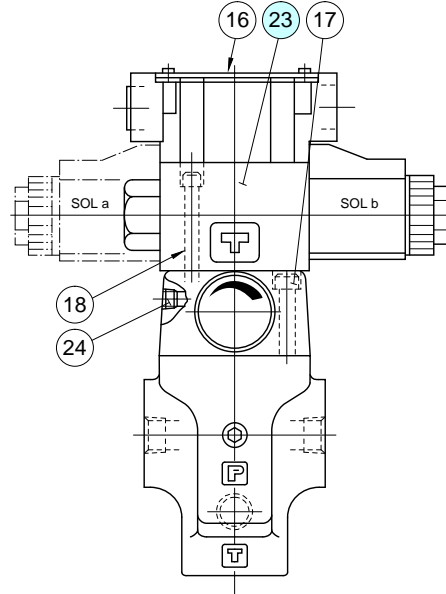
Terminal Box Type

03
BST-06-***-47/4790
10



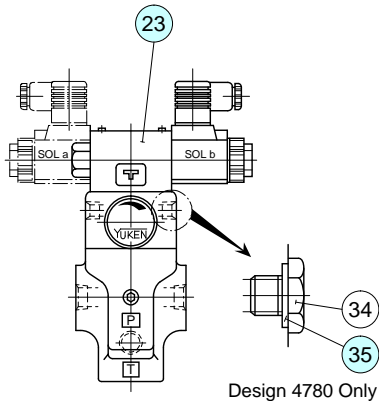
CAUTION

When making replacement of seals or solenoid assemblies, please do it carefully after reading through the relevant instructions in the Operator's Manual.



Models with Plug-in Connector

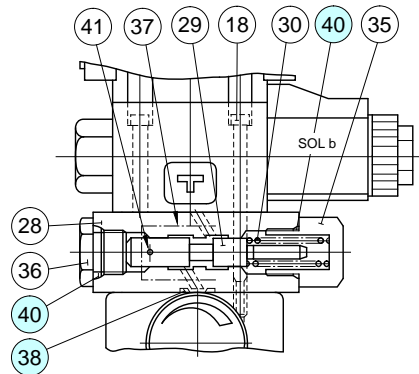
03
BST-06-***-N-47/4780/4790
10



Option

Models with Vent Restrictor

03
A-BST-06-***-47/4790
10
N-47/4780/4790



List of Seals

Item	Name of Parts	Part Numbers			Qty.
		BST-03	BST-06	BST-10	
21	O-Ring	SO-NA-P9	SO-NA-P9	SO-NA-P9	1
22	O-Ring	SO-NB-P32	SO-NB-P32	SO-NB-P42	1
35	Bonded Seal	SG-FB-1/8	SG-FB-1/8	SG-FB-1/8	2
38*	O-Ring	SO-NB-P8			2
40*	O-Ring	SO-NB-P14			2

* The O-Rings for Item 38,40 are used only for the models with the vent restrictor.

Note: When ordering the seals, please specify the seal kit number from the table right. In addition to the above seals, seals for the pilot valves are included in the seal kit.

For the detail of the pilot valve seals, see the catalogue No. Pub.EC-0402.

List of Seal Kits

Model Numbers	Seal Kit Numbers
BST-03	KS-BST-03-46
BST-06	
BST-10	KS-BST-10-46
A-BST-03	KS-A-BST-03-46
A-BST-06	
A-BST-10	KS-A-BST-10-46

Note: No bonded seals are included in the seal kits.

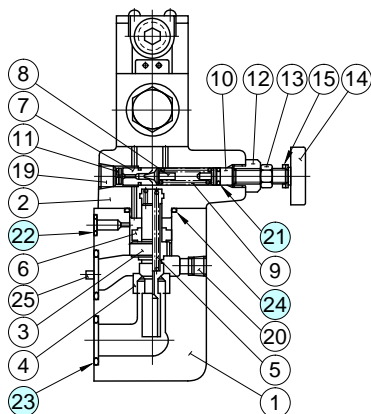
Pilot Valves

See page 30 for the pilot valve model numbers to be used.

■ Sub-plate Mounting

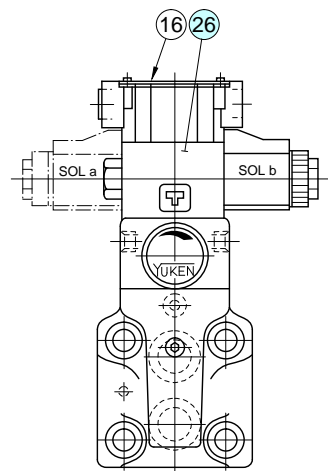
● Terminal Box Type

03
BSG-06-***-47/4790
10



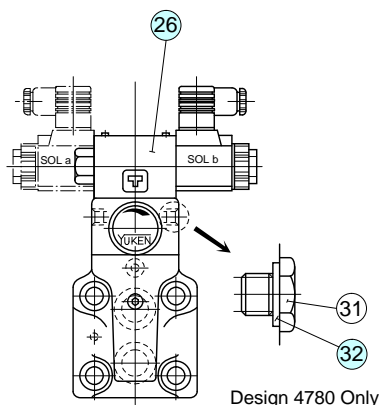
⚠ CAUTION

When making replacement of seals or solenoid assemblies, please do it carefully after reading through the relevant instructions in the Operator's Manual.



● Models with Plug-in Connector

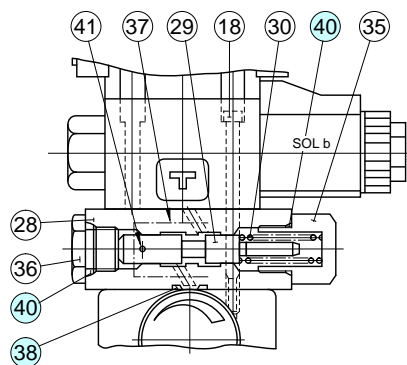
03
BSG-06-***-N-47/4780/4790
10



■ Option

● Models with Vent Restrictor

03
A-BSG-06-***-47/4790
10
N-47/4780/4790



● List of Seals

Item	Name of Parts	Part Numbers			Qty.
		BSG-03	BSG-06	BSG-10	
21	O-Ring	SO-NA-P9	SO-NA-P9	SO-NA-P9	1
22	O-Ring	SO-NB-P9	SO-NB-P11	SO-NB-P9	1
23	O-Ring	SO-NB-P18	SO-NB-P28	SO-NB-P32	2
24	O-Ring	SO-NB-P32	SO-NB-P32	SO-NB-P42	1
32	Bonded Seal	SG-FB-1/8	SG-FB-1/8	SG-FB-1/8	2
38*	O-Ring	SO-NB-P8			2
40*	O-Ring	SO-NB-P14			2

★ The O-Rings for item 38, 40 are used only for the models with the vent restrictor.

Note: When ordering the seals, please specify the seal kit number from the table right. In addition to the above seals, seals for the pilot valves are included in the seal kit.

For the detail of the pilot valve seals, see the catalogue No. Pub. EC-0402.

● List of Seal Kits

Model Numbers	Seal Kit Numbers
BSG-03	KS-BSG-03-46
BSG-06	KS-BSG-06-46
BSG-10	KS-BSG-10-46
A-BSG-03	KS-A-BSG-03-46
A-BSG-06	KS-A-BSG-06-46
A-BSG-10	KS-A-BSG-10-46

Note: No bonded seals are included in the seal kits.

● Pilot Valves

See page 30 for the pilot valve model numbers to be used.

● List of Pilot Valves

Type of Electrical Conduit Connection	Valve Model Numbers	Pilot Valve Model Numbers	Remarks
Terminal Box Type	*-BST/BSG-03/06/10-*2B3A-★-47	DSG-01-2B3A-★-60	Japanese Standard "JIS"
	*-BST/BSG-03/06/10-*2B3B-★-47	DSG-01-2B3B-★-60	
	*-BST/BSG-03/06/10-*2B2B-★-47	DSG-01-2B2B-★-60	
	*-BST/BSG-03/06/10-*2B2-★-47	DSG-01-2B2-★-60	
	*-BST/BSG-03/06/10-*3C2-★-47	DSG-01-3C2-★-60	
	*-BST/BSG-03/06/10-*3C3-★-47	DSG-01-3C3-★-60	
	*-BST/BSG-03/06/10-*2B3A-★-4790	DSG-01-2B3A-★-6090	N. American Design Std.
	*-BST/BSG-03/06/10-*2B3B-★-4790	DSG-01-2B3B-★-6090	
	*-BST/BSG-03/06/10-*2B2B-★-4790	DSG-01-2B2B-★-6090	
	*-BST/BSG-03/06/10-*2B2-★-4790	DSG-01-2B2-★-6090	
*-BST/BSG-03/06/10-*3C2-★-4790	DSG-01-3C2-★-6090		
*-BST/BSG-03/06/10-*3C3-★-4790	DSG-01-3C3-★-6090		
Plug-in Connector Type	*-BST/BSG-03/06/10-*2B3A-★-N-47	DSG-01-2B3A-★-N-60	Japanese Standard "JIS"
	*-BST/BSG-03/06/10-*2B3B-★-N-47	DSG-01-2B3B-★-N-60	
	*-BST/BSG-03/06/10-*2B2B-★-N-47	DSG-01-2B2B-★-N-60	
	*-BST/BSG-03/06/10-*2B2-★-N-47	DSG-01-2B2-★-N-60	
	*-BST/BSG-03/06/10-*3C2-★-N-47	DSG-01-3C2-★-N-60	
	*-BST/BSG-03/06/10-*3C3-★-N-47	DSG-01-3C3-★-N-60	
	*-BST/BSG-03/06/10-*2B3A-★-N-4780	DSG-01-2B3A-★-N-60	European Design Std.
	*-BST/BSG-03/06/10-*2B3B-★-N-4780	DSG-01-2B3B-★-N-60	
	*-BST/BSG-03/06/10-*2B2B-★-N-4780	DSG-01-2B2B-★-N-60	
	*-BST/BSG-03/06/10-*2B2-★-N-4780	DSG-01-2B2-★-N-60	
	*-BST/BSG-03/06/10-*3C2-★-N-4780	DSG-01-3C2-★-N-60	
	*-BST/BSG-03/06/10-*3C3-★-N-4780	DSG-01-3C3-★-N-60	
	*-BST/BSG-03/06/10-*2B3A-★-N-4790	DSG-01-2B3A-★-N-6090	N. American Design Std.
	*-BST/BSG-03/06/10-*2B3B-★-N-4790	DSG-01-2B3B-★-N-6090	
	*-BST/BSG-03/06/10-*2B2B-★-N-4790	DSG-01-2B2B-★-N-6090	
	*-BST/BSG-03/06/10-*2B2-★-N-4790	DSG-01-2B2-★-N-6090	
	*-BST/BSG-03/06/10-*3C2-★-N-4790	DSG-01-3C2-★-N-6090	
	*-BST/BSG-03/06/10-*3C3-★-N-4790	DSG-01-3C3-★-N-6090	

Note: 1. Fill a coil type (a symbol representing current/voltage) in section marked ★.

2. For the details of the pilot valves, see the Catalogue No. Pub. EC-0402.